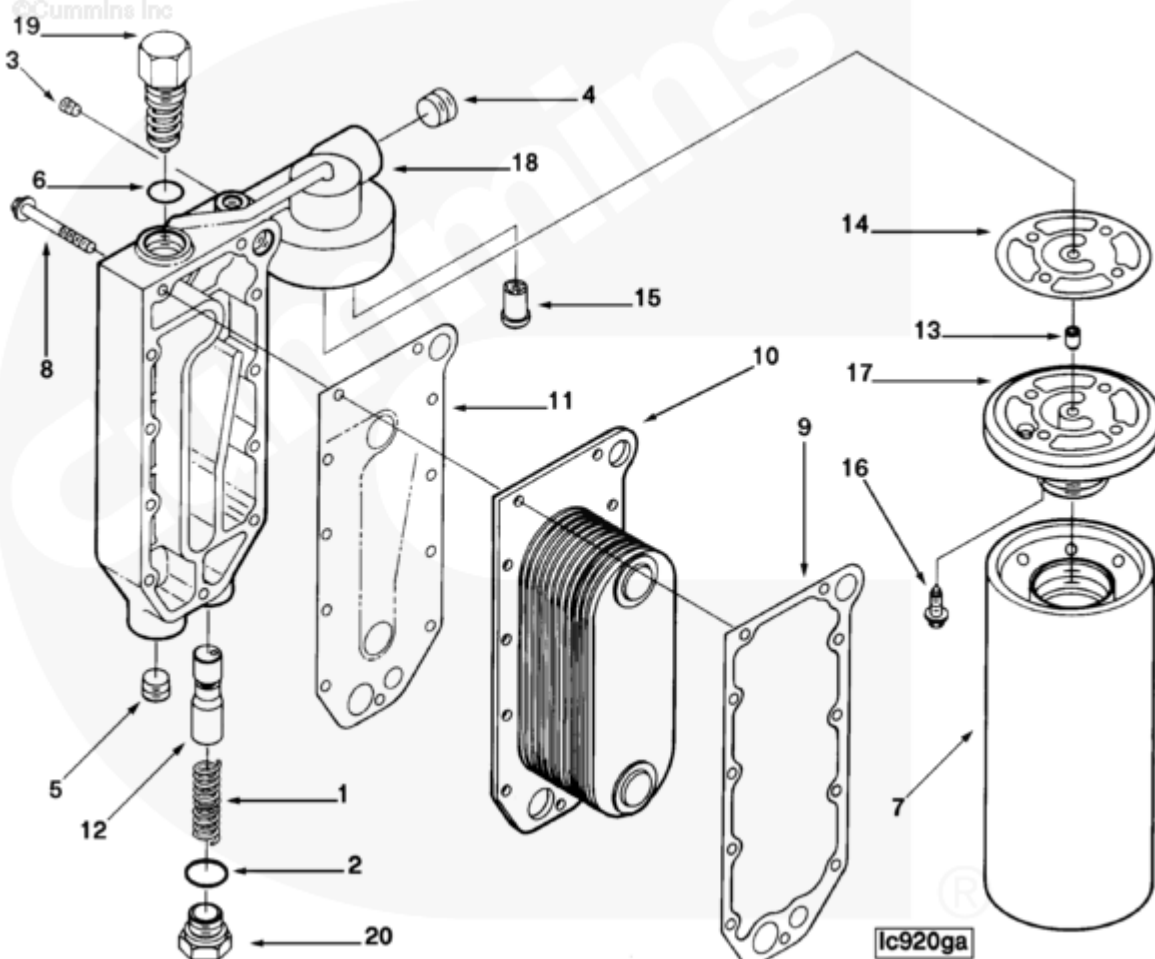




## Parts Catalog - Option Detail

Electronic Parts Catalog - Option Detail				
Option	Group	Graphic	Film Card	Date
LC9028	07.05	lc920ga	Z	14-OCT-96
<b>Engines</b>	6C8.3, C GAS PLUS CM556, G8.3, G8.3 CM558, GTA8.3 CM558, ISC CM2150, ISC CM554, ISC CM850, ISC8.3 CM2250, ISC8.3 G CM2180 C101, ISL CM2150, ISL CM554, ISL CM850, ISL G CM2180, ISL8.9 CM2150 L110, ISL8.9 CM2880 L112, ISL9 CM2150 SN, ISL9 CM2250, ISL9 CM2350 L101, ISL9 CM2350 L111, ISLE4 CM850, L GAS PLUS CM556, L8.9, L8.9 L121, L8.9G CMOH2.0 L125B, L9 CM2350 L116B, L9 CM2350 L119B, L9 CM2350 L120C, L9 CM2350 L123B, L9.3 L105, L9.5 L117, L9N CM2380 L124B, QSC8.3 CM2250, QSC8.3 CM2880 C102, QSC8.3 CM554, QSC8.3 CM850(CM2850), QSL9 CM2250, QSL9 CM2250 L115, QSL9 CM2350 L102, QSL9 CM2350 L107, QSL9 CM2350 L118, QSL9 CM2350 L122, QSL9 CM554, QSL9 CM850(CM2850), QSL9 G CM558, QSL9 M CM2250 L106, QSL9.3 CM2880 L113			



[SMALL](#) | [MEDIUM](#) | [LARGE](#)

Cart	Ref No	Part Number	Part Description	Required	Remarks
<input type="button" value="View My Cart"/>					
		<a href="#">LC9028</a>	Engine Oil Cooler		<a href="#">Engine Oil Cooler...(More)</a>
					Structure Code: 02 EBM

					Cylinders: 6
					Cooler Type: Plate
					Mounting Position/Location:
					Vertical
					Filter Material: Cellulose
					Unique Characteristics:
					W/full flow bypass filter
					Filter Head Thickness:
					43.50mm
					Engine Families: C Series
					Restricted Aspiration:
					Charged Air Cooled
					Jacket Water Aftercooled
					Sea Water Aftercooled
					Turbocharged Pressure
					Pressure Relief set 65 PSI
<input type="checkbox"/>	1	<a href="#">68274</a>	Compression Spring	1	
<input type="checkbox"/>	2	<a href="#">145508</a>	O-Ring Seal	1	
<input type="checkbox"/>	3	<a href="#">3906619</a>	Pipe Plug	2	1/8 NPT.
<input type="checkbox"/>	4	<a href="#">3008469</a>	Pipe Plug	1	3/4 NPT
<input type="checkbox"/>	5	<a href="#">3027232</a>	Pipe Plug	1	1/2 NPT
<input type="checkbox"/>	6	<a href="#">3201562</a>	O-Ring Seal	1	
<input type="checkbox"/>	7	<a href="#">3318853</a>	Lubricating Oil Filter Element	1	Buy from Cummins Filtration
<input type="checkbox"/>	8	<a href="#">3916073</a>	Hexagon Flange Head Cap Screw	11	M8 x 1.25 x 65
<input type="checkbox"/>	9	<a href="#">3918174</a>	Oil Cooler Core Gasket	1	
<input type="checkbox"/>	10	<a href="#">3918175</a>	Cooler Core	1	
<input type="checkbox"/>	11	<a href="#">3929011</a>	Lubricating Oil Cooler Cover Gasket	1	
<input type="checkbox"/>	12	<a href="#">3918532</a>	Pressure Regulator Plunger	1	

<input type="checkbox"/>		<a href="#">3919014</a>	Lubricating Oil Filter Head	1	
<input type="checkbox"/>	13	<a href="#">118227</a>	Ring Dowel	1	
<input type="checkbox"/>	14	<a href="#">3921605</a>	Filter Head Gasket	1	
<input type="checkbox"/>	15	<a href="#">3927622</a>	Bypass Valve	1	
<input type="checkbox"/>	16	<a href="#">3907860</a>	Hexagon Flange Head Cap Screw	4	M8 x 1.25 x 25
<input type="checkbox"/>	17	<a href="#">3918334</a>	Lubricating Oil Filter Head	1	
	18	<a href="#">3922882</a>	Lubricating Oil Cooler Cover	1	
<input type="checkbox"/>	19	<a href="#">3923477</a>	Thermostat	1	
<input type="checkbox"/>	20	<a href="#">3919016</a>	Threaded Plug	1	

© 2019 Cummins Inc., Box 3005, Columbus, IN 47202-3005 U.S.A.  
Terms of Use and Disclaimers | Recommended System Requirements  
Need Assistance? Please click on the Contact Us button in the top right corner of any page.